

Features

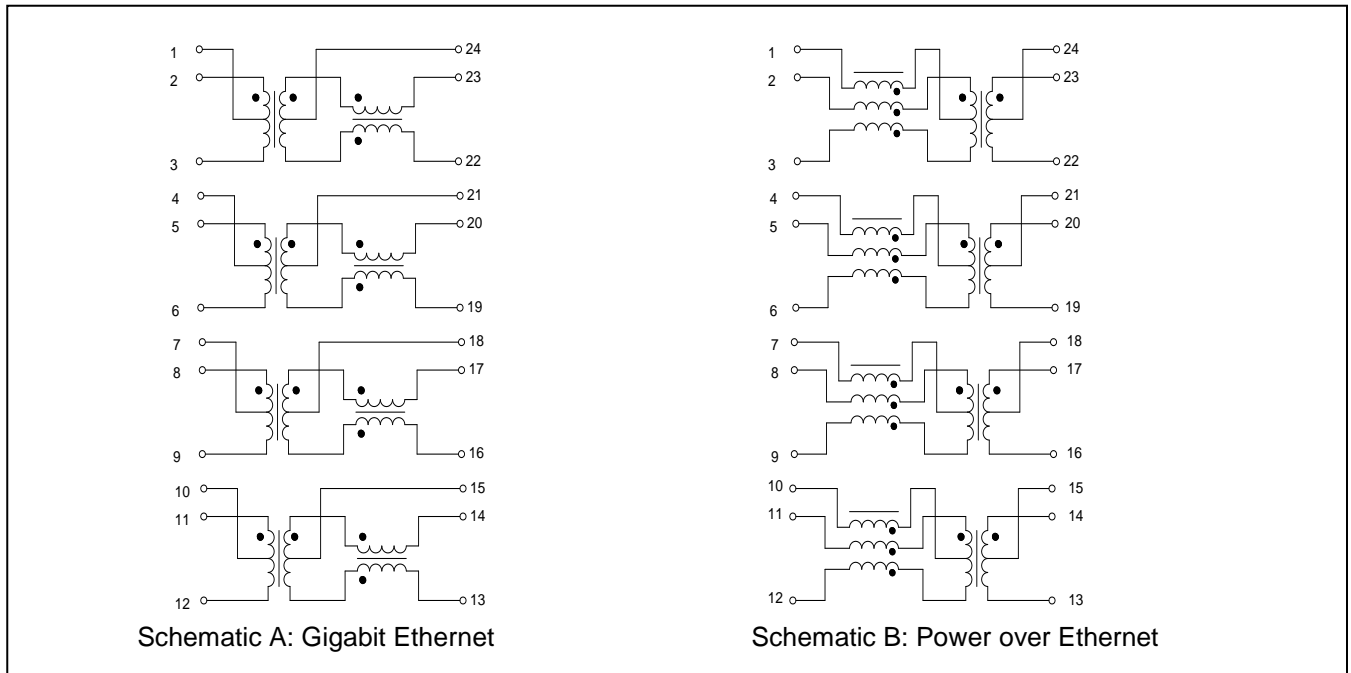
- Footprint compatible with wire-wound modules
- 1500V Voltage Isolation
- 360 uH OCL with 8 mA DC bias
 - PoE >120 uH with 18 mA DC bias
- Ball-grid I/O pads
- ROHS compliant

Weight: ≤ 2 g.
 Operating Temperature: 0°C to +70°C
 Storage Temperature: -55°C to +125°C
 SMT Soldering Temperature: Max 3 reflows at 265°C for 20 seconds.
 Packaging: 36 units per SMT feed tube

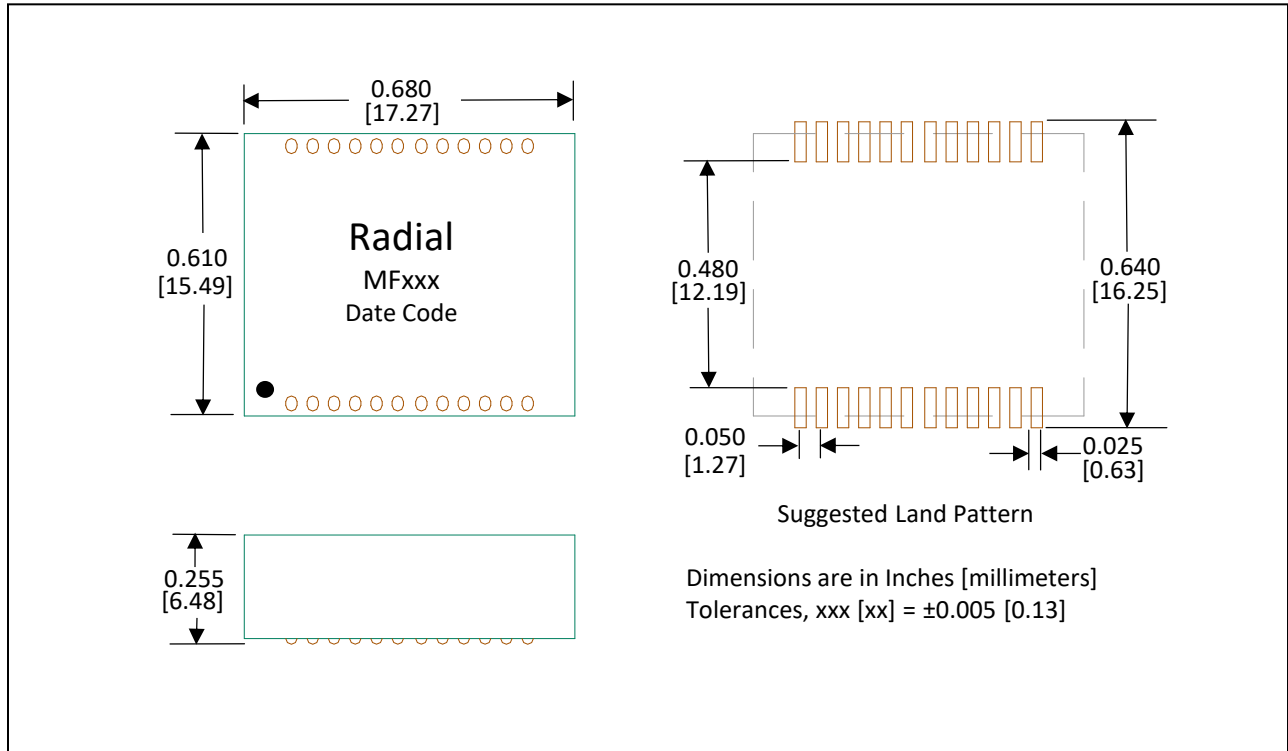
Performance at 25°C

Part Number	Schematic	Insertion Loss Max. dB		Return Loss Max. dB				Common to Differential Rejection, dB Min		Crosstalk , dB Max.	Package Style
		1-80 MHz	80-125 MHz	1-30 MHz	30-60 MHz	60-80 MHz	80-125 MHz	1-80 MHz	80-125 MHz		
MF042	A	-1.0	-3.0	-18	-14	-12	-10	-30	-15	-30	1
MF050	B	-1.0	-3.0	-18	-14	-12	-10	-30	-15	-30	1

Schematic



Package Dimensions



Notes:

1. ROHS Compliant
2. UL 94V-0 Flammability Rating
3. Storage Temperature -55°C to +125°C
4. Compliance to J-STD
 - a. J-STD-002; solderability at 245°C reflow solder profile
 - b. J-STD-020; Level 1, No moisture sensitivity
 - c. J-STD-075; 245°C maximum through reflow solder profile

